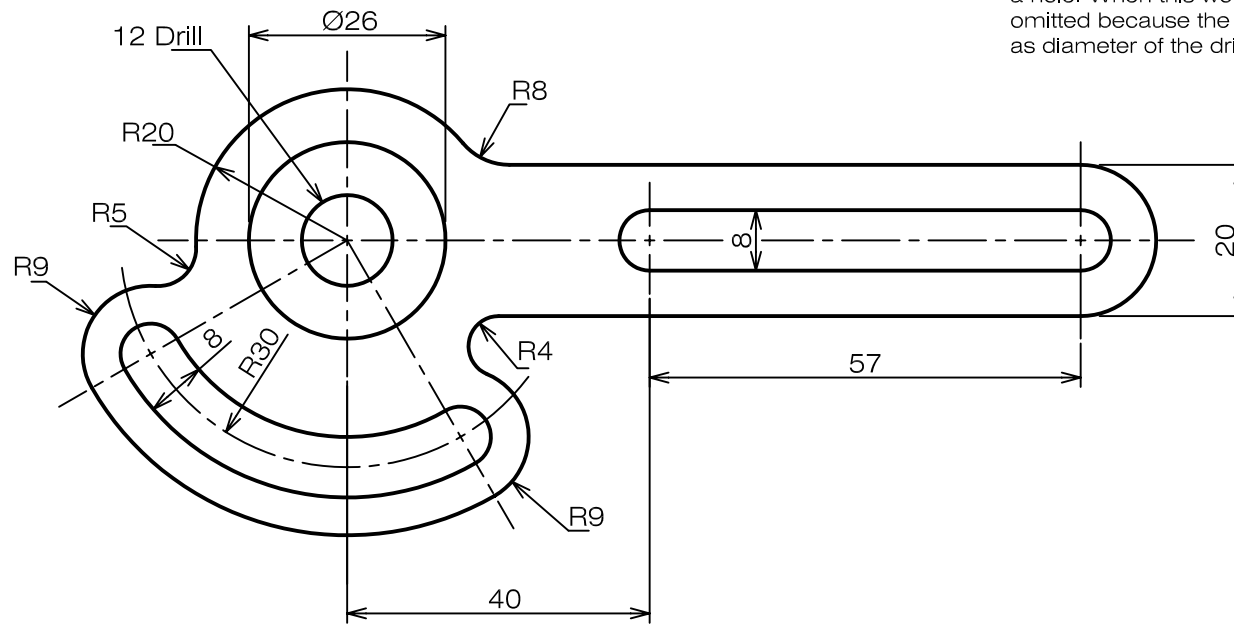


Make a drawing of the part shown below.

(Problem is taken from "The Fundamentals of Engineering Drawing" by Sataporn)



What can we learn from this drawing ?

The word "Drill" indicates the operation of producing a hole. When this word is written, the symbol \varnothing is omitted because the standard drill size is specified as diameter of the drill.

SCALE 1:1